



P*E*K*

EXPLOSION-PROOF PROPORTIONAL PRESSURE RELIEF VALVES, PILOT OPERATED ATEX, IECEX, INMETRO, PESO

PDE3K*	ISO 4401-03
PRE3K*	ISO 4401-03
PRE10K*	ISO 6264-06
PRE25K*	ISO 6264-08
PRE32K*	ISO 6264-10

OPERATING PRINCIPLE

- PDE3K* and PRE*K* are explosion-proof pressure relief valves with proportional control.
- They are compliant with ATEX, IECEX, INMETRO or PESO requirements and are suitable for use in potentially explosive atmospheres, for surface plants or mines.
- A low temperature version (up to -40 °C) is also available.
- The valves can be controlled directly by a current power supply or by means of an electronic control unit, to exploit valve performance to the full (see par. 21).
- Upon request, these valves can be supplied with a finishing surface treatment (zinc-nickel) suitable to ensure a salt spray resistance up to 600 hours.
- **Details for classification, operating temperatures and electrical characteristics are in the technical data sheet 02 500 'Explosion proof classification'.**

PERFORMANCES

(obtained with mineral oil with viscosity of 36 cSt at 50°C and electronic control card)

		PDE3K*	PRE3K*	PRE10K*	PRE25K*	PRE32K*
Maximum operating pressure	- P port - T port	350 2	350 2	350 2		
Minimum flow		-	2	-	-	-
Nominal flow		1	10	-	-	-
Maximum flow		2	40	200	400	500
Step response		see par. 11				
Hysteresis	% of p nom	< 5%				
Repeatability	% of p nom	< ±1,5%				
Electrical characteristic		see par. 5				
Operating temperatures (ambient and fluid)		see data sheet 02 500				
Fluid viscosity range	cSt	10 ÷ 400				
Fluid contamination degree		According to ISO 4406:1999 class 18/16/13				
Recommended viscosity	cSt	25				
Mass	kg	1,8	3,8	5,3	6,1	8,3

1 - IDENTIFICATION CODE OF DIRECT OPERATED PROPORTIONAL VALVE

	P	D	E	3	-	/ 10	-	K9				
--	----------	----------	----------	----------	----------	-------------	----------	-----------	--	--	--	--

Pressure control valve

Direct operated

Electrical proportional control

Size ISO 4401-03

Explosion-proof certification: **See table 1.1**

Pressure control range

025 = 0,9 - 25 bar
070 = 1,6 - 70 bar
140 = 2,4 - 140 bar
210 = 3,2 - 210 bar
350 = 5 - 350 bar

Series No. (the overall and mounting dimensions remain unchanged from 10 to 19)

Seals:

For temperature range -20 / +80 °C
N = NBR seals for mineral oil (standard)
V = FPM seals for special fluids
 For temperature range -40 / +80 °C
NL = seal for low temperatures (for mineral oil)

Option: surface treatment not standard. Omit if not required (see **NOTE**)

Option: **/T5** version in T5 temperature class. Omit if not required.

Connection type for cable gland upper connection:
T01 = M20x1.5 - ISO 261
T02 = Gk 1/2 - UNI EN 10226-2 not available for INMETRO
T03 = 1/2" NPT - ANSI B1.20.1 (ex ANSI B2.1)
 side connection:
S01 = M20x1.5 - ISO 261
S02 = Gk 1/2 - UNI EN 10226-2 not available for INMETRO
S03 = 1/2" NPT - ANSI B1.20.1 (ex ANSI B2.1)
S04 = M16x1.5 - ISO 261

Coil electrical connection: junction box

Nominal solenoid voltage:
D12 = 12V DC
D24 = 24V DC

NOTE: Valves are supplied with standard surface treatment of phosphating black. The full zinc-nickel surface treatment is available upon request. It is suitable to ensure a salt spray resistance up to 600 h (test operated according to UNI EN ISO 9227 standards and test evaluation operated according to UNI EN ISO 10289 standards). For full zinc-nickel surface treatment add the suffix **/W7** at the end of the identification code.

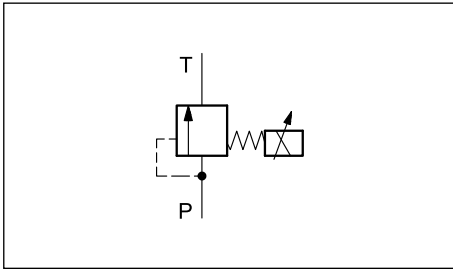
Version with monobloc steel coil
 Standard coils are made of zinc-nickel steel, with anodized aluminium junction box on it. Monobloc coils **MD24K9S01** completely made of steel are available upon request. They have zinc-nickel treatment, power supply voltage D24 and cable gland connection type S01. Other variants for voltage and cable gland connection are available, always on request.

1.1 - Names of valves per certification

	ATEX		IECEX		INMETRO		PESO	
for gases for dusts	KD2	II 2GD	KXD2	IECEX Gb IECEX Db	KBD2	INMETRO Gb INMETRO Db	KPD2	PESO Gb not applicable for dust
for mines	KDM2	I M2	KXDM2	IECEX Mb	KBDM2	INMETRO Mb	not applicable for mines	

NOTE: Refer to the technical data sheet 02 500 for marking, operating temperatures and available versions.

2 - HYDRAULIC SYMBOL



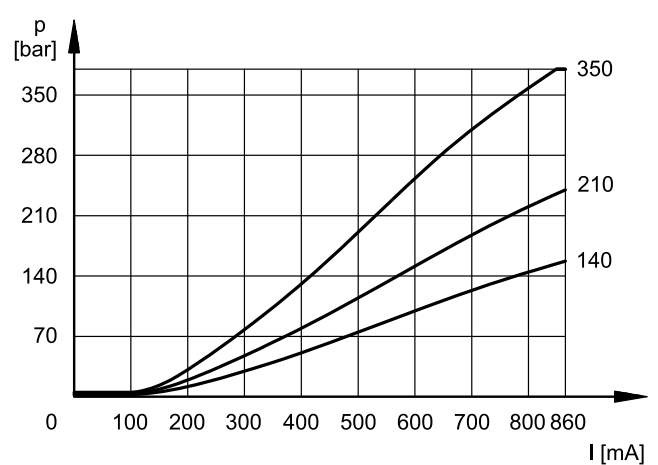
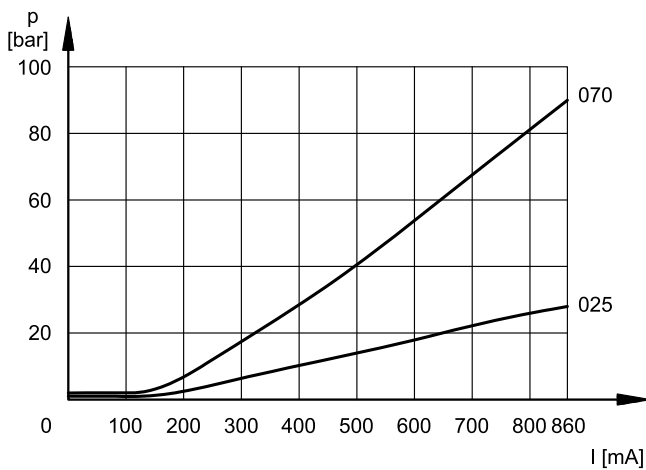
3 - CHARACTERISTIC CURVES FOR DIRECT OPERATED PROPORTIONAL VALVE

(obtained with mineral oil with viscosity of 36 cSt at 50°C and electronic control card)

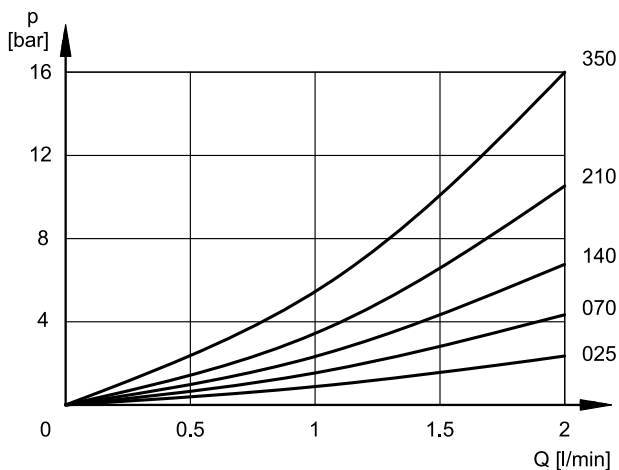
Typical control curves according to the current supplied to the solenoid for available pressure control ranges measured with input flow rate $Q = 1 \text{ l/min}$.

Curves have been obtained without any hysteresis and linearity compensation and they have been measured without any backpressure in T. The full scale pressure is set in factory with a flow rate of 1 l/min. In case of higher flow rate, the full scale pressure will increase considerably (see diagram $p_{max} = f(Q)$).

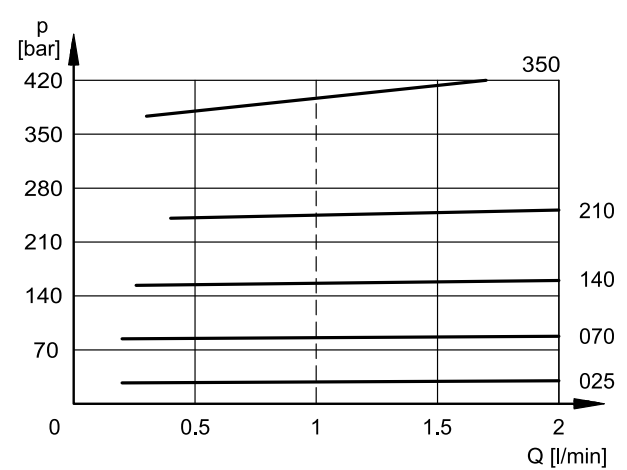
PRESSURE CONTROL $p = f(I)$



MINIMUM CONTROLLED PRESSURE $p_{min} = f(Q)$



PRESSURE VARIATION $p_{max} = f(Q)$



4 - MAX PRESSURE VALUES FOR DIRECT OPERATED PROPORTIONAL VALVE

This valve incorporates a mechanical limit of the maximum pressure, that operates independently of the applied current. This kind of design ensures the pressure cannot rise over even if the solenoid current exceeds the maximum current ($I > I_{max}$).

Values obtained with oil viscosity of 36 cSt at 50°C, Q = 1 l/min

		PDE3K*-025	PDE3K*-070	PDE3K*-140	PDE3K*-210	PDE3K*-350
pressure value at 800 mA	bar	25	77	142	217	360
max pressure value when $I > I_{max}$	bar	33,5	90	161	252	390

5 - ELECTRICAL CHARACTERISTICS

(values \pm 5%)

NOMINAL VOLTAGE	V DC	12	24
RESISTANCE (AT 20°C)	Ω	3,8	15,6
NOMINAL CURRENT	A	1,88	0,86

DUTY CYCLE	100%
ELECTROMAGNETIC COMPATIBILITY (EMC)	According to 2014/30/EU
CLASS OF PROTECTION Atmospheric agents Coil insulation (VDE 0580)	IP66/IP68 class H

5.1 - Wiring

In order to realise the electrical connection of the coil, it is necessary to access the terminal block (1) unscrewing the 4 screws (2) that fasten the cover (3) with the box (4) that contains the terminal block.

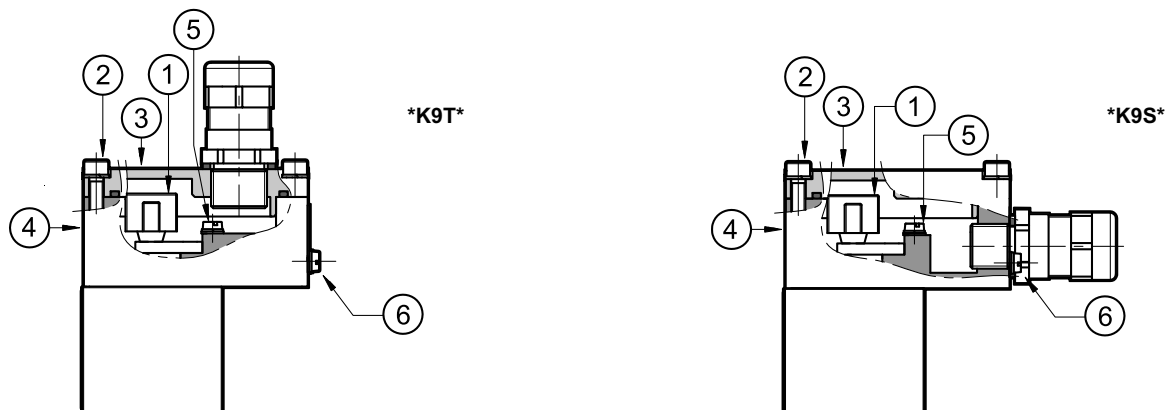
The electrical connection is polarity-independent.

By doing electrical connection it is important to connect also the grounding point (5) in the terminal block box (M4 screws), through suitable conductors with the general grounding line of the system.

On the external body of the coil there is a grounding point (6) (M4 screw) that allow to ensure equipotentiality between the valve and the general grounding line of the system; connecting this point the regulation of the EN 13463-1 standard, that impose to verify the equipotentiality of the elements included in a potentially explosive environment (the maximum resistance between the elements must be 100 Ω), is guaranteed.

At the end of the electrical wiring, it is necessary to reassemble the cover (3) on the box (4), checking the correct positioning of the seal located in the cover seat and fastening the 4 M5 screws with a torque of 4.9 ± 6 Nm.

Electrical wiring must be done following the instructions of the rules in compliance with standard about protection against explosion hazards.



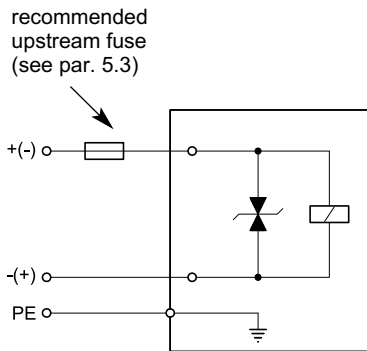
Characteristics of the cables connectable for wiring are indicated in the table below:

Function	Cable section
Operating voltage cables connection	max 2.5 mm ²
Connection for internal grounding point	max 2.5 mm ²
Connection for external equipotential grounding point	max 6 mm ²

Cables for wiring must be non-armoured cables, with external covering sheath and must be suitable for use in environments with temperatures from - 20 °C to +110 °C (for valves either with N or V seals) or from - 40 °C to +110 °C (for valves with NL seals).

Cable glands (which must be ordered separately, see par. 18) allow to use cables with external diameter between 8 and 10 mm.

5.2 - Electrical diagrams



5.3 - Overcurrent fuse and switch-off voltage peak

Upstream of each valve, an appropriate fuse (max 3 x I_n according to IEC 60127) or a protective motor switch with short-circuit and thermal instantaneous tripping, as short-circuit protection, must be connected. The cut-off power of the fuse must correspond or exceed the short circuit current of the supply source. The fuse or the protective motor must be placed outside the dangerous area or they must be protected with an explosion-proof covering.

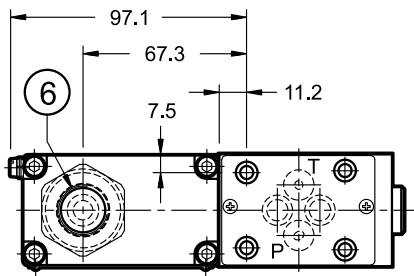
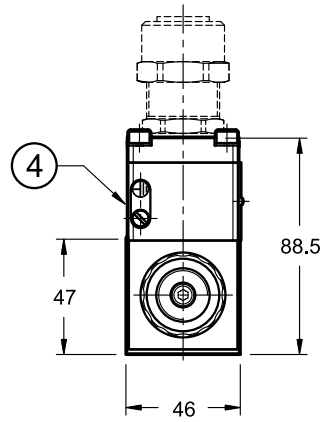
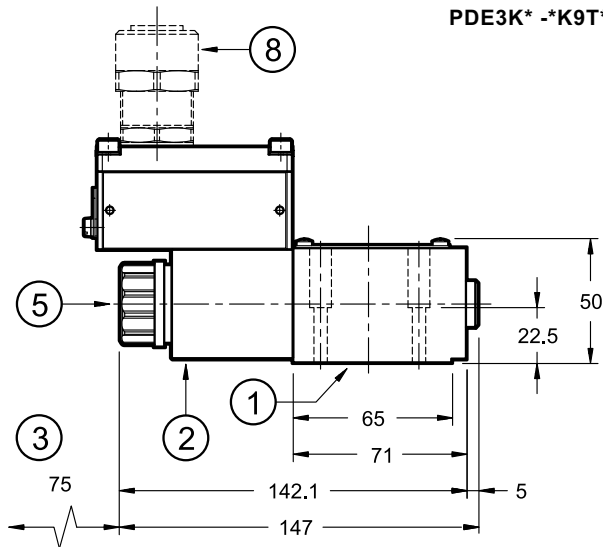
In order to safeguard the electronic device to which the valve is connected, there is a protection circuit in the coil, that reduces voltage peaks, which can occur when inductances are switched off.

The table shows the type of fuse recommended according to the nominal voltage of the valve and to the value of the voltage peaks reduction.

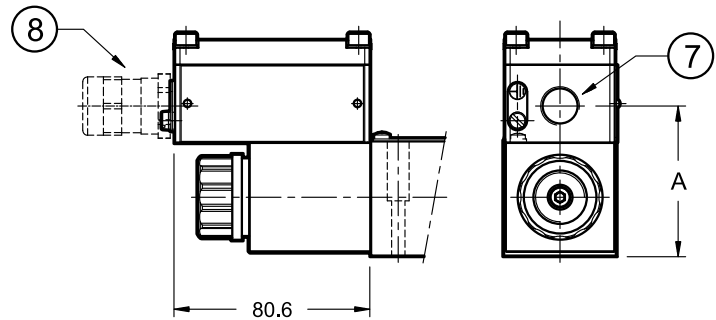
Coil type	Nominal voltage [V]	Rated current [A]	Recommended pre-fuse characteristics medium time-lag according to DIN 41571 [A]	Maximum voltage value upon switch off [V]	Suppressor circuit
D12	12	1,88	2,5	- 49	Transient voltage suppressor bidirectional
D24	24	0,86	1,25	- 49	

6 - PDE3K* OVERALL AND MOUNTING DIMENSIONS

dimensions in mm



PDE3K* -K9S*



Side port type	A
S01, S04	60.5
S02, S03	60

1	Mounting surface with sealing rings: N. 4 OR type 2037 (9.25 x 1.78) - 90 shore
2	Explosion-proof coil
3	Minimum clear space required
4	Terminal for supplementary GND connection
5	Breather (Allen key 4)
6	Upper port for cable gland
7	Side port for cable gland
8	Cable gland To be ordered separately, see par. 20

NOTE: at the first start up, or after a long period of no use, it is necessary to vent the air through the breather (5) placed at the end of the solenoid tube.

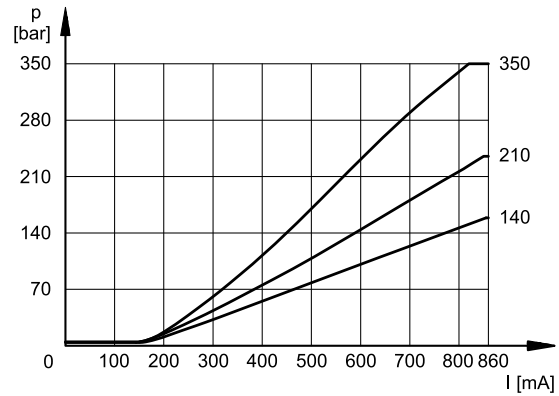
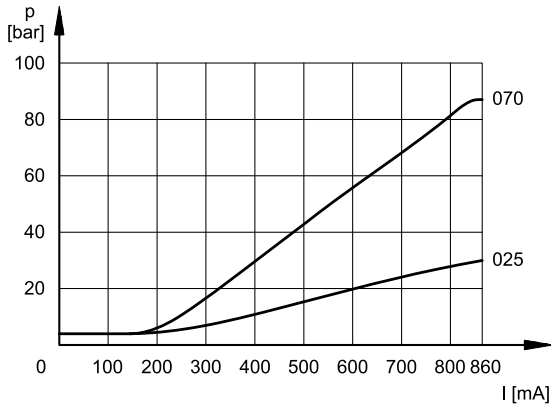
Fastening of single valve: 4 SHC screws M5x30 - ISO 4762
Tightening torque: 5 Nm (A 8.8 screws)
Threads of mounting holes: M5x10

9 - CHARACTERISTIC CURVES OF PILOT OPERATED PROPORTIONAL VALVES

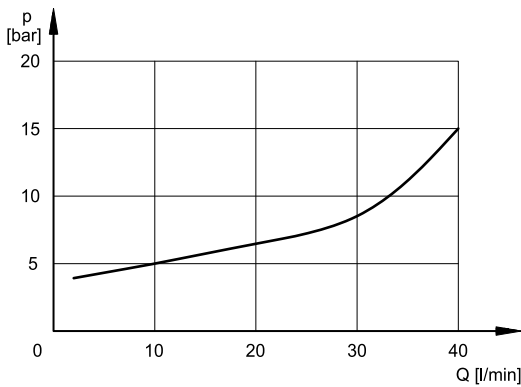
(obtained with mineral oil with viscosity of 36 cSt at 50°C and electronic control card)

9.1 - PRE3K*

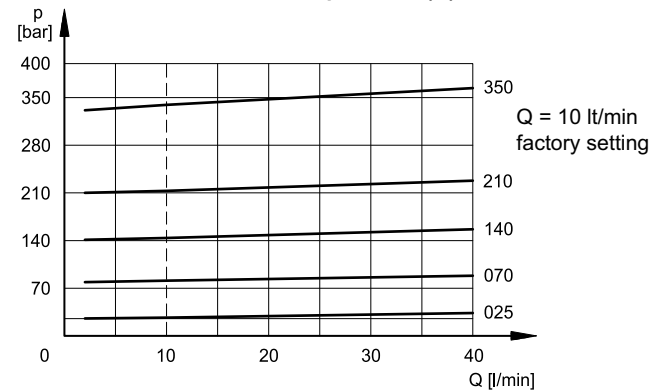
PRESSURE CONTROL $p = f(I)$



MINIMUM CONTROLLED PRESSURE $p_{min} = f(Q)$

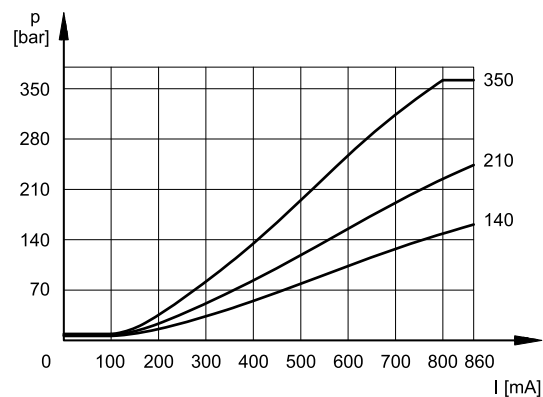
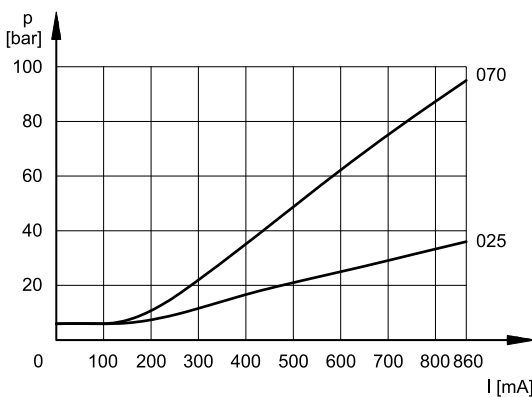


PRESSURE VARIATION $p_{max} = f(Q)$

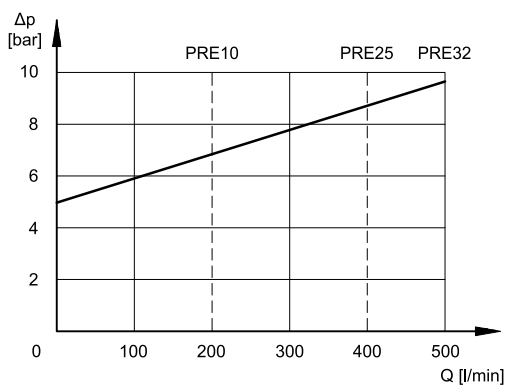


9.2 - PRE10K*, PRE25K* and PRE32K*

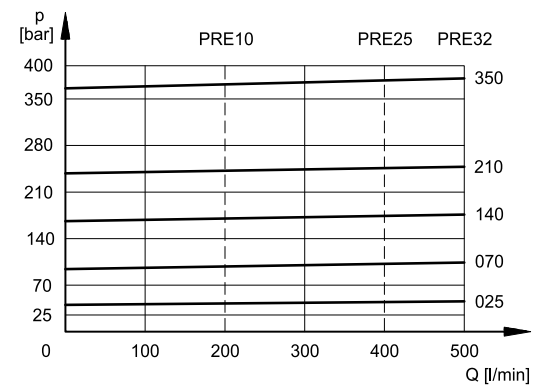
PRESSURE CONTROL $p = f(I)$



MINIMUM CONTROLLED PRESSURE $p_{min} = f(Q)$



PRESSURE VARIATION $p_{max} = f(Q)$



10 - MAX PRESSURE VALUES FOR PILOT OPERATED VALVES

These valves incorporate a mechanical limit of the maximum pressure, that operates independently of the applied current. This kind of design ensures the pressure cannot rise over, even if the solenoid current exceeds the maximum current ($I > I_{max}$).

Values obtained with oil viscosity of 36 cSt at 50°C, Q = 10 l/min

		PRE3-025	PRE3-070	PRE3-140	PRE3-210	PRE3-350
pressure value at 800 mA	bar	28	82	145	215	335
max pressure value when $I > I_{max}$	bar	30	86	155	230	350

Values obtained with oil viscosity of 36 cSt at 50°C, Q = 50 l/min

		PRE*-025	PRE*-070	PRE*-140	PRE*-210	PRE*-350
pressure value at 800 mA	bar	27	85	147	220	365
max pressure value when $I > I_{max}$	bar	35	95	165	255	370

11 - STEP RESPONSE

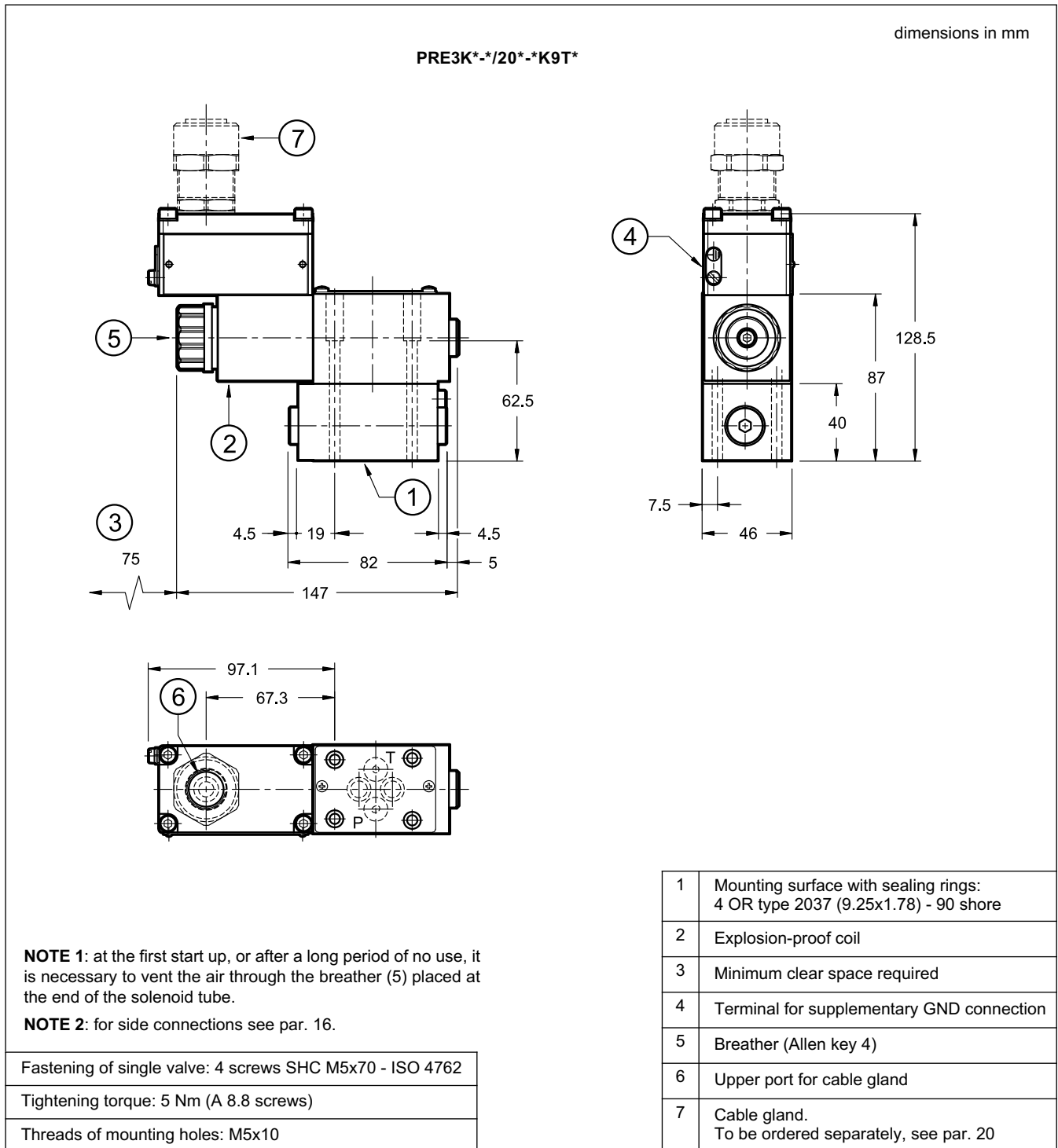
(obtained with mineral oil with viscosity of 36 cSt at 50°C and electronic control card)

Step response is the time taken for the valve to reach 90% of the set pressure value following a step change of reference signal.

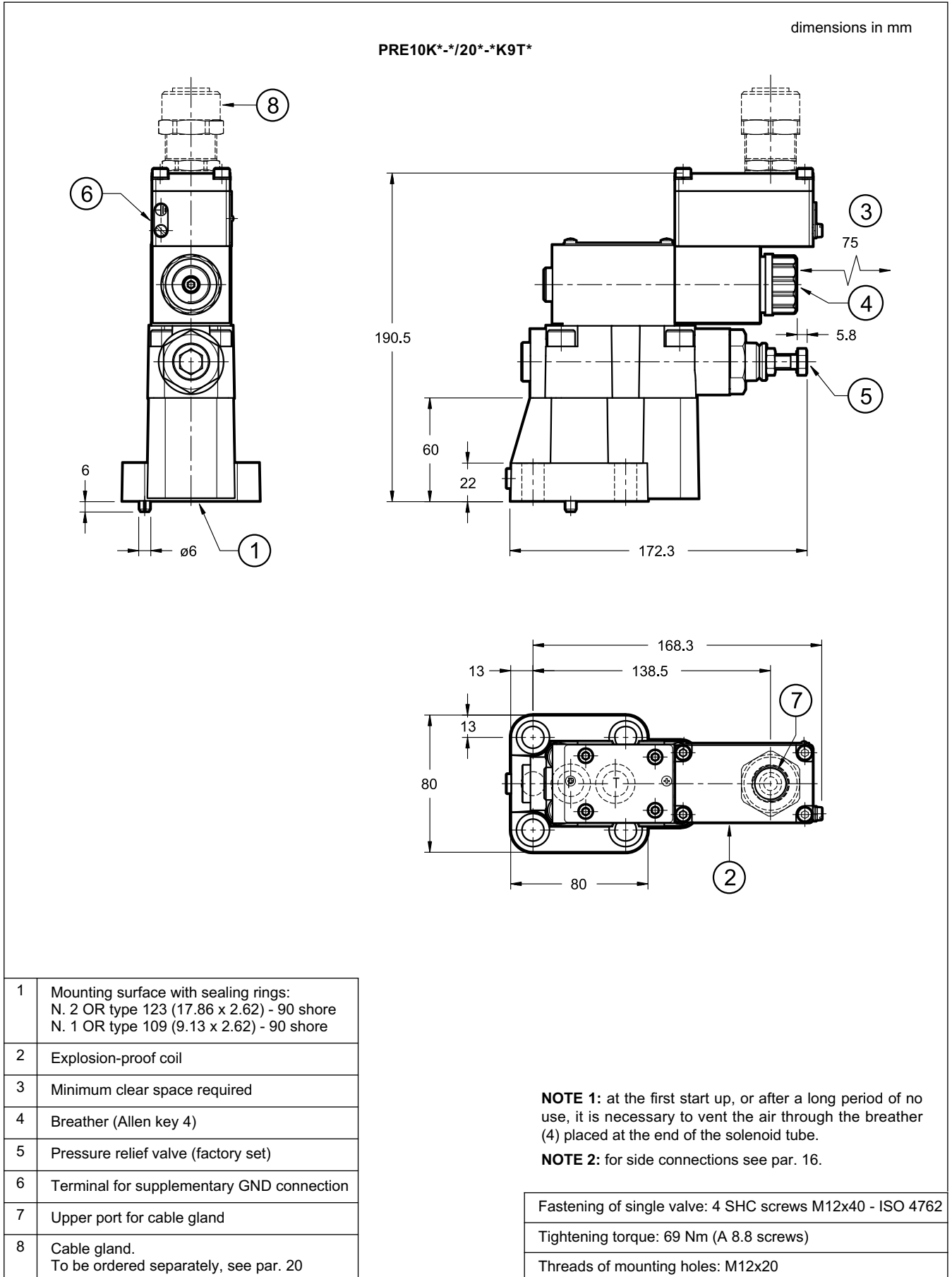
The table illustrates typical step response times measured with a valve of pressure range up to 210 bar and with input flow rate of Q = 1 l/min for PDE3K*, Q = 10 l/min for PRE3K* and Q = 50 l/min for PRE10K*, PRE25K* and PRE32K*.

REFERENCE SIGNAL	0 → 100%	100 → 0%
	Step response [ms]	
PDE3K*	60	70
PRE3K*	80	40
PRE10K*, PRE25K* and PRE32K*	120	90

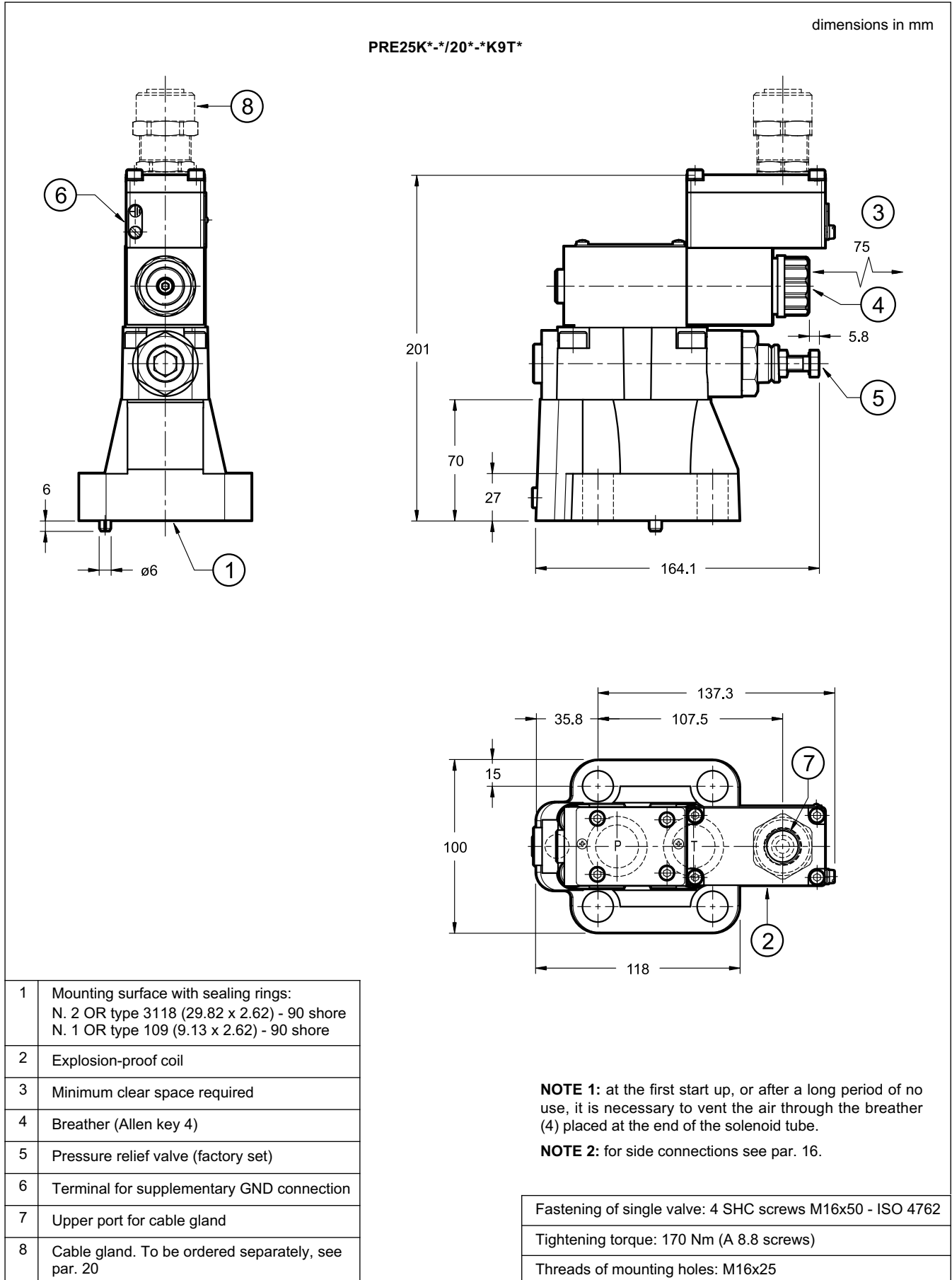
12 - PRE3K* WITH UPPER CONNECTION - OVERALL AND MOUNTING DIMENSIONS



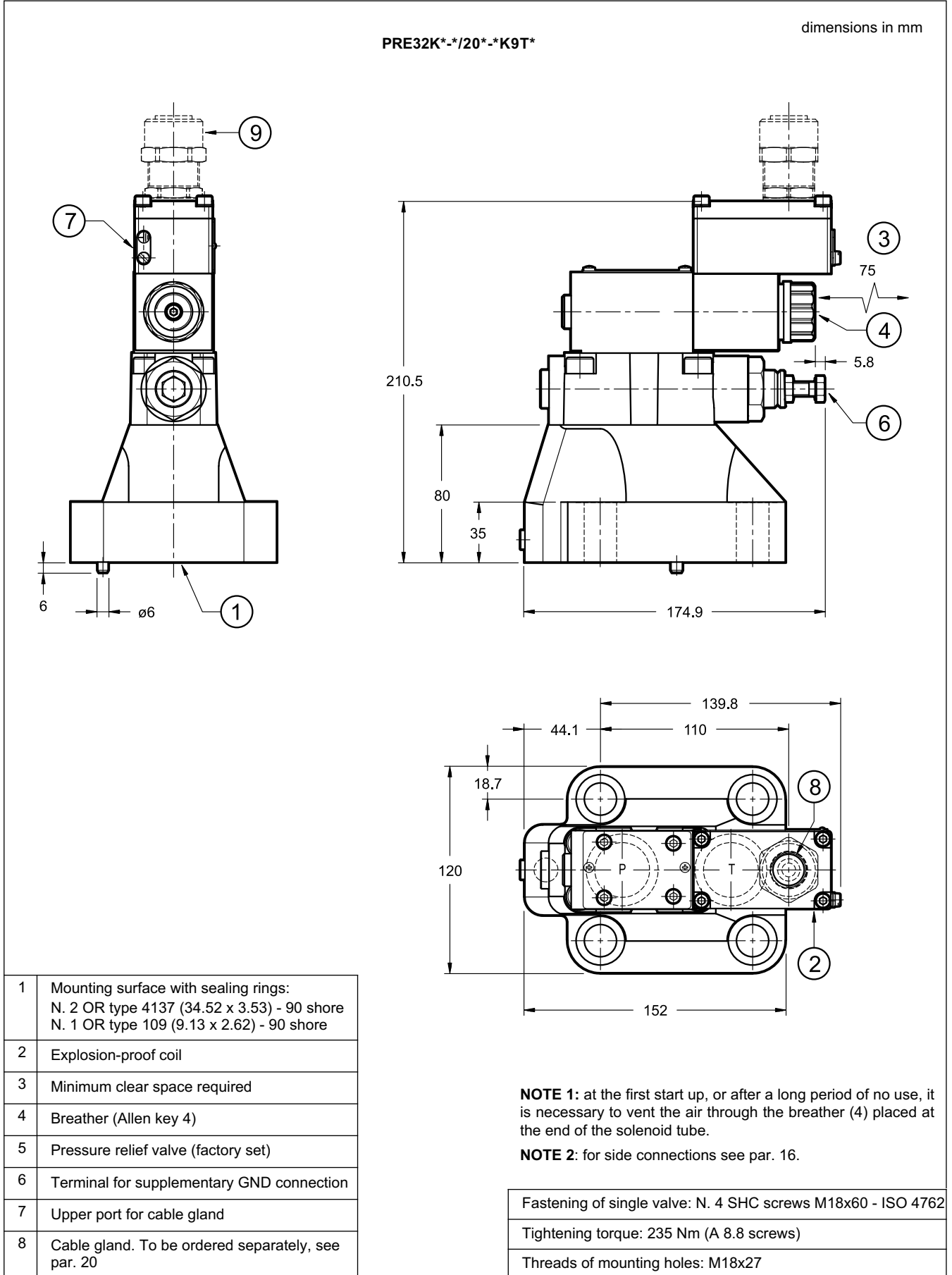
13 - PRE10K* WITH UPPER CONNECTION - OVERALL AND MOUNTING DIMENSIONS



14 - PRE25K* WITH UPPER CONNECTION - OVERALL AND MOUNTING DIMENSIONS



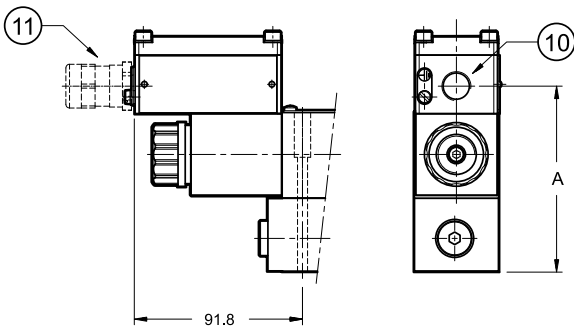
15 - PRE32K* WITH UPPER CONNECTION - OVERALL AND MOUNTING DIMENSIONS



16 - PRE*K* WITH SIDE CONNECTION - OVERALL AND MOUNTING DIMENSIONS

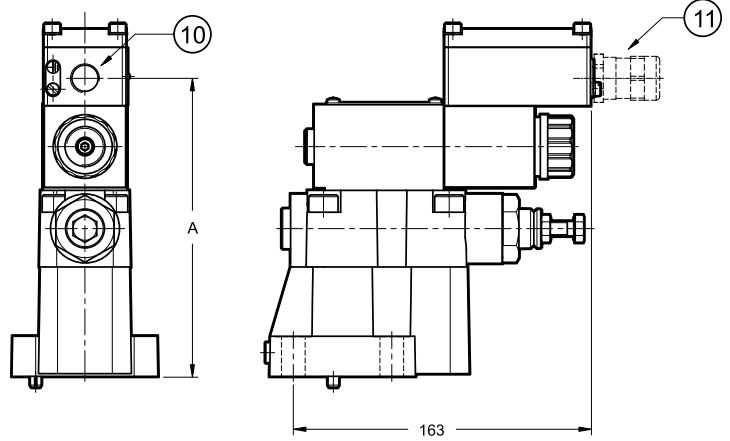
dimensions in mm

PRE3K*-/20*-*K9S*



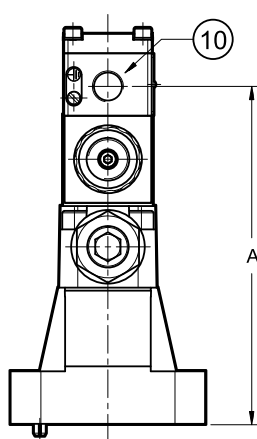
Side port type	A
S01, S04	100.5
S02, S03	100

PRE10K*-/20*-*K9S*

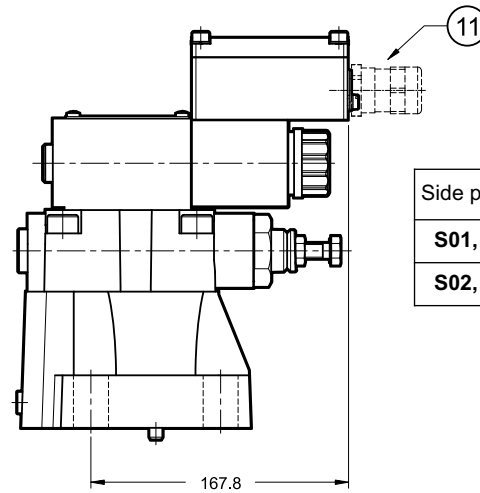


Side port type	A
S01, S04	162.5
S02, S03	162

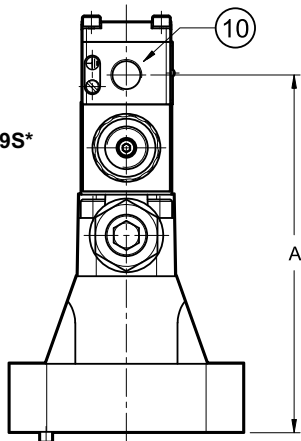
PRE25K*-/20*-*K9S*



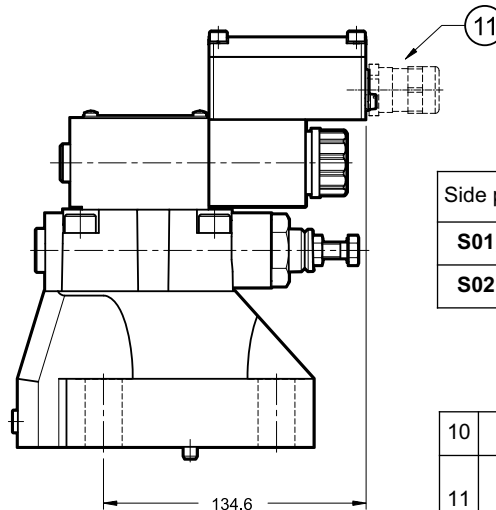
Side port type	A
S01, S04	172.5
S02, S03	172



PRE32K*-/20*-*K9S*



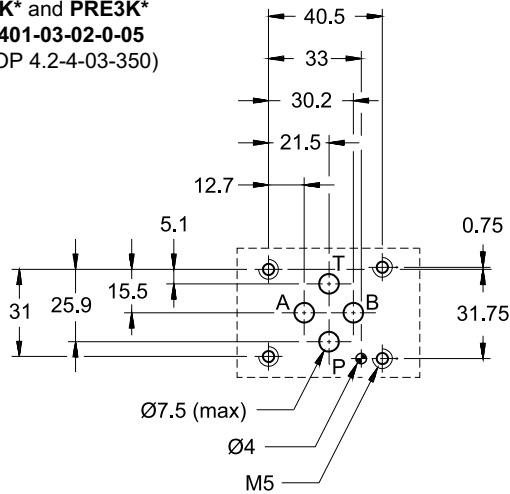
Side port type	A
S01, S04	182.5
S02, S03	182



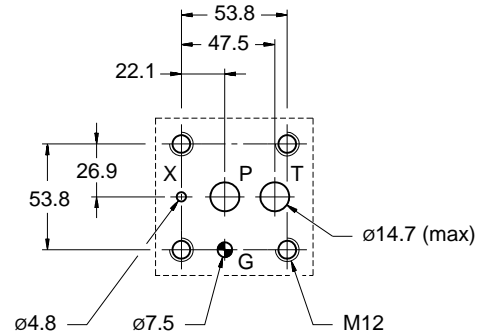
10	Side port for cable gland
11	Cable gland. To be ordered separately, see par. 20

17 - MOUNTING SURFACES

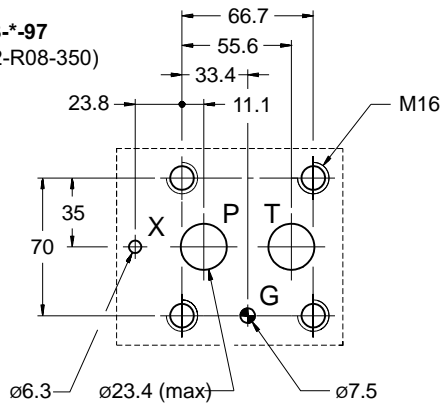
PDE3K* and PRE3K*
ISO 4401-03-02-0-05
 (CETOP 4.2-4-03-350)



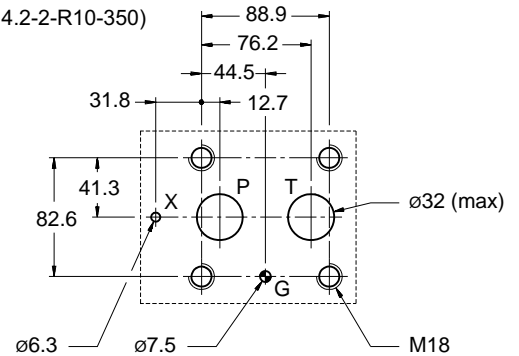
PRE10K*
ISO 6264-06-09-*-97
 (CETOP 4.4.2-2-R06-350)



PRE25K*
ISO 6264-08-13-*-97
 (CETOP 4.4.2-2-R08-350)



PRE32K*
ISO 6264-10-17-*-97
 (CETOP 4.4.2-2-R10-350)



18 - HYDRAULIC FLUIDS

Use mineral oil-based hydraulic fluids HL or HM type, according to ISO 6743-4. For these fluids, use NBR seals (code N). For fluids HFDR type (phosphate esters) use FPM seals (code V). For the use of other kinds of fluid such as HFA, HFB, HFC, please consult our technical department. Using fluids at temperatures higher than 80 °C causes a faster degradation of the fluid and of the seals characteristics.

The fluid must be preserved in its physical and chemical characteristics.

19 - INSTALLATION



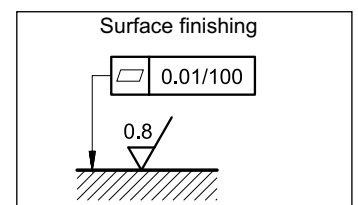
Installation must adhere to instructions reported in the *Use and Maintenance manual*, always attached to the valve. Unauthorized interventions can be harmful to people and goods because of the explosion hazards present in potentially explosive atmospheres.

We recommend to install the valves either in horizontal position, or vertical position with the solenoid downward. If the valve is installed in vertical position and with the solenoid upward, you must consider possible variations of the minimum controlled pressure, if compared to what is indicated in par.s 3 and 9.

Ensure that there is no air in the hydraulic circuit. In particular applications, it can be necessary to vent the air, by using the apposite drain screw in the solenoid tube. At the end of the operation, make sure of having correctly screwed the drain screw.

Connect the T port on the valve directly to the tank. Add any backpressure value detected in the T line to the controlled pressure value. **Maximum admissible backpressure in the T line, under operational conditions, is 2 bar.**

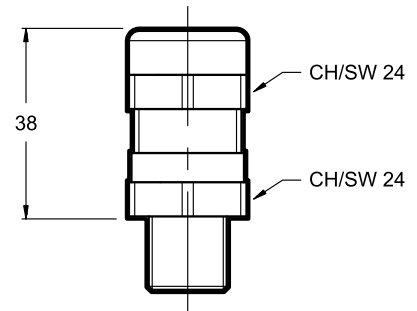
Valves are fixed by means of screws or tie rods on a flat surface with planarity and roughness equal to or better than those indicated in the relative symbols. If minimum values are not observed, fluid can easily leak between the valve and support surface.



20 - CABLE GLANDS

Cable glands must be ordered separately; Diplomatic offers some types of cable glands with the following features:

- version for non-armoured cable, external seal on the cable (suitable for Ø8+10 mm cables);
- ATEX II 2GD, I M2; IECEx Gb, Db, Mb;
- cable gland material: nickel brass
- inner rubber tip material: silicone
- ambient temperature range: -65 °C + +220 °C
- protection degree: IP66/IP68



To order the desired cable glands, specify description, code and quantity.

Description: CGK2/NB-01/10

Code: 3908108001

M20x1.5 - ISO 261 male thread, suitable for coils with T01 and S01 connections. It is supplied equipped with copper washer, that must be assembled between the cable gland and the coil, so as to ensure IP66/IP68 protection degree.

Tightening torque: 45 ÷ 50 Nm

Description: CGK2/NB-02/10

Code: 3908108002

Gk 1/2 - UNI EN 10226-2 male thread, suitable for coils with T02 and S02 connections. The customer must apply LOCTITE® 243™ threadlocker or similar between the cable gland connection thread and the coil in order to ensure IP66/IP68 protection degree.

Tightening torque: 20 ÷ 25 Nm

Description: CGK2/NB-03/10

Code: 3908108003

1/2" NPT - ANSI B1.20.1 (ex ANSI B2.1), suitable for coils with T03 and S03 connections. The customer must apply LOCTITE® 243™ threadlocker or similar between the cable gland connection thread and the coil in order to ensure IP66/IP68 protection degree.

Tightening torque: 20 ÷ 25 Nm

Description: CGK2/NB-04/10

Code: 3908108004

M16x1.5 - ISO 261 male thread, suitable for coils with S04 connection. It is supplied equipped with copper washer, that must be assembled between the cable gland and the coil, so as to ensure IP66/IP68 protection degree.

Tightening torque: 45 ÷ 50 Nm

21 - ELECTRONIC CONTROL UNITS

EDM-M112	for solenoid 24V DC	DIN EN 50022 rail mounting	see catalogue 89 251
EDM-M142	for solenoid 12V DC		

NOTE: electronic control units offered are not explosion-proof certified; therefore, they must be installed outside classified areas.

22 - SUBPLATES

(see catalogue 51 000)

	PDE3K*	PRE3K*	PRE10K*	PRE25K*	PRE32K*
Type with rear ports	PMMD-AI3G	PMMD-AI3G	PMRQ3-AI4G	PMRQ5-AI5G	PMRQ7-AI7G
Type with side ports	PMMD-AL3G	PMMD-AL3G	-	-	-
P, T ports dimensions	3/8" BSP	3/8" BSP	P: 1/2" BSP T: 3/4" BSP	1" BSP	1" ¼ BSP
X port dimensions	-	-	1/4" BSP	1/4" BSP	1/4" BSP

NOTE: Subplates (to be ordered separately) do not contain neither aluminium nor magnesium at a rate higher than the value allowed by norms according to ATEX directive for category II 2GD and I M2.

The user will bear to do the complete assessment of the ignition risk that can occur from the relative use in potentially explosive environments.

	DIPLOMATIC MS S.p.A. via M. Re Depaolini 24 • 20015 PARABIAGO (MI) • ITALY tel. +39 0331.895.111 • www.diplomatic.com • e-mail: sales.exp@diplomatic.com
--	---

EXPLOSION-PROOF CLASSIFICATION

for

SOLENOID AND PROPORTIONAL VALVES

ref. catalogues:

pressure control valves

RQM*K*-P	21 515
P*E*K*	81 316
ZDE3K*	81 515
DZCE*K*	81 606

flow control valves

QDE3K*	82 225
---------------	---------------

directional valves

D*K*	41 515
DT3K*	42 215
DS(P)E*K*	83 510

GENERAL INFO

This informative technical datasheet displays information about **classification and marking** of Duplomatic explosion-proof valves range.

Duplomatic MS offers valves with the following certifications:

ATEX	II 2G	II 2D	I M2
IECEX	Gb	Db	Mb
INMETRO	Gb	Db	Mb
PESO	Gb		

Instructions for use and maintenance can be found in the related manuals, always supplied together with valves.



1 - ATEX CLASSIFICATION AND TEMPERATURES

Diplomatic certifies the combination valve-coil for the valves suitable for application and installation in potentially explosive atmospheres, according to ATEX directive; the supply always includes the declaration of conformity to the directive and the operating and maintenance manual, that contains all the information needed for a correct use of the valve in potentially explosive environments.

Coils assembled on these valves have been separately certified according to ATEX directive and so they are suitable for use in potentially explosive atmospheres.

1.1 - ATEX classification for valves

Type examination certificate: AR18ATEX055

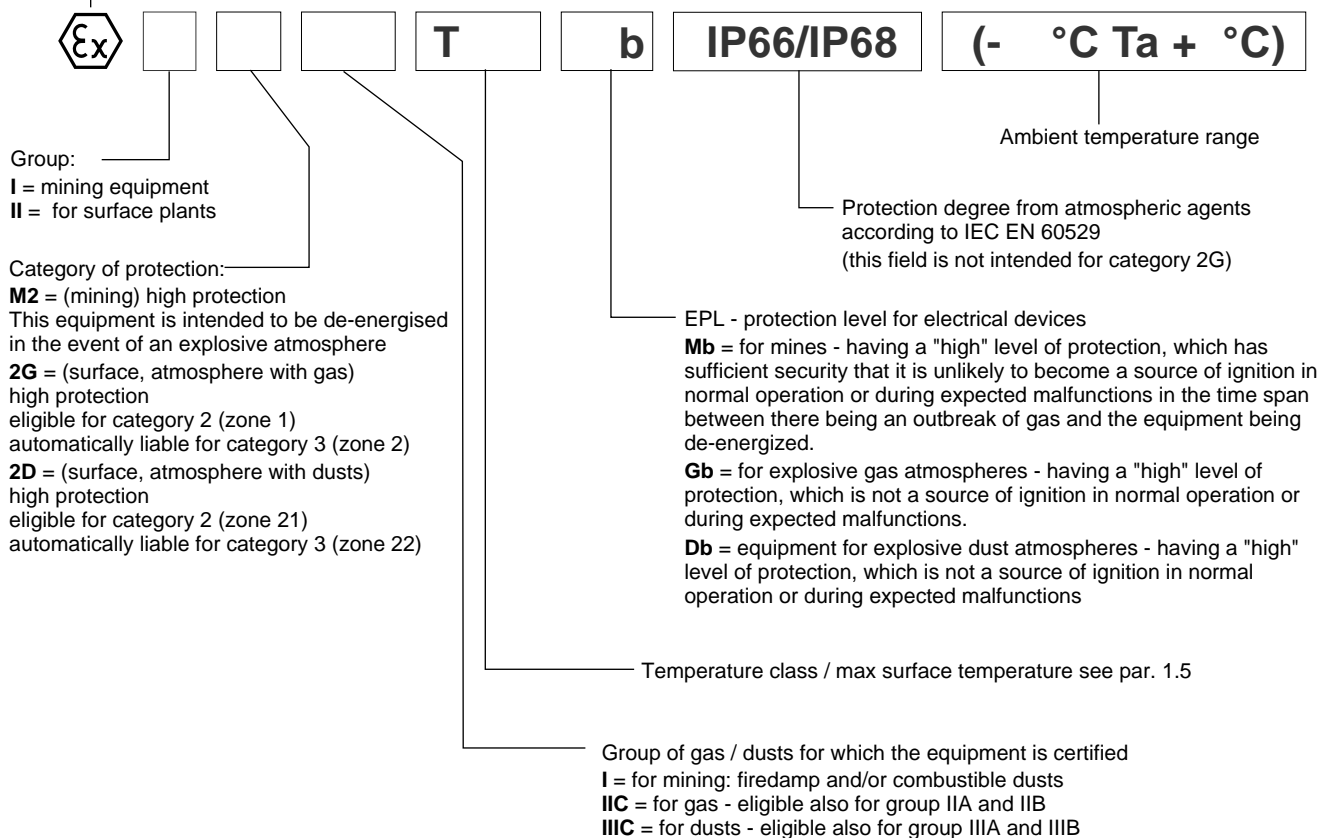
The valves are suitable for applications and installations in potentially explosive atmospheres that fall within:

ATEX II 2G ATEX II 2D	*KD2	equipment intended for use in areas in which explosive atmospheres caused by gases, vapours, mists or air/dust mixtures are likely to occur occasionally. The means of protection relating to equipment in this category ensure the requisite level of protection, even in the event of frequently occurring disturbances or equipment faults which normally have to be taken into account.
ATEX I M2	*KDM2	equipment intended for use in underground parts of mines as well as those parts of surface installations of such mines likely to be endangered by firedamp and/or combustible dust. This equipment is intended to be de-energised in the event of an explosive atmosphere.

1.2 - ATEX marking for valves

valve code		N and V seals	NL seals
*KD2	for gas	II 2G IIC T4 Gb (-20°C Ta +80°C)	II 2G IIC T4 Gb (-40°C Ta +80°C)
	for dusts	II 2D IIIC T154°C Db IP66/IP68 (-20°C Ta +80°C)	II 2D IIIC T154°C Db IP66/IP68 (-40°C Ta +80°C)
*KD2 /T5	for gas	II 2G IIC T5 Gb (-20°C Ta +55°C)	II 2G IIC T5 Gb (-40°C Ta +55°C)
	for dusts	II 2D IIIC T129°C Db IP66/IP68 (-20°C Ta +55°C)	II 2D IIIC T129°C Db IP66/IP68 (-40°C Ta +55°C)
*KDM2	mining	I M2 I T150°C Mb IP66/68 (-20°C Ta +75°C)	I M2 I T150°C Mb IP66/68 (-40°C Ta +75°C)

Specific marking as ATEX 2014/34/EU directive and related technical specifications



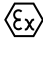
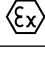

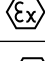
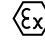


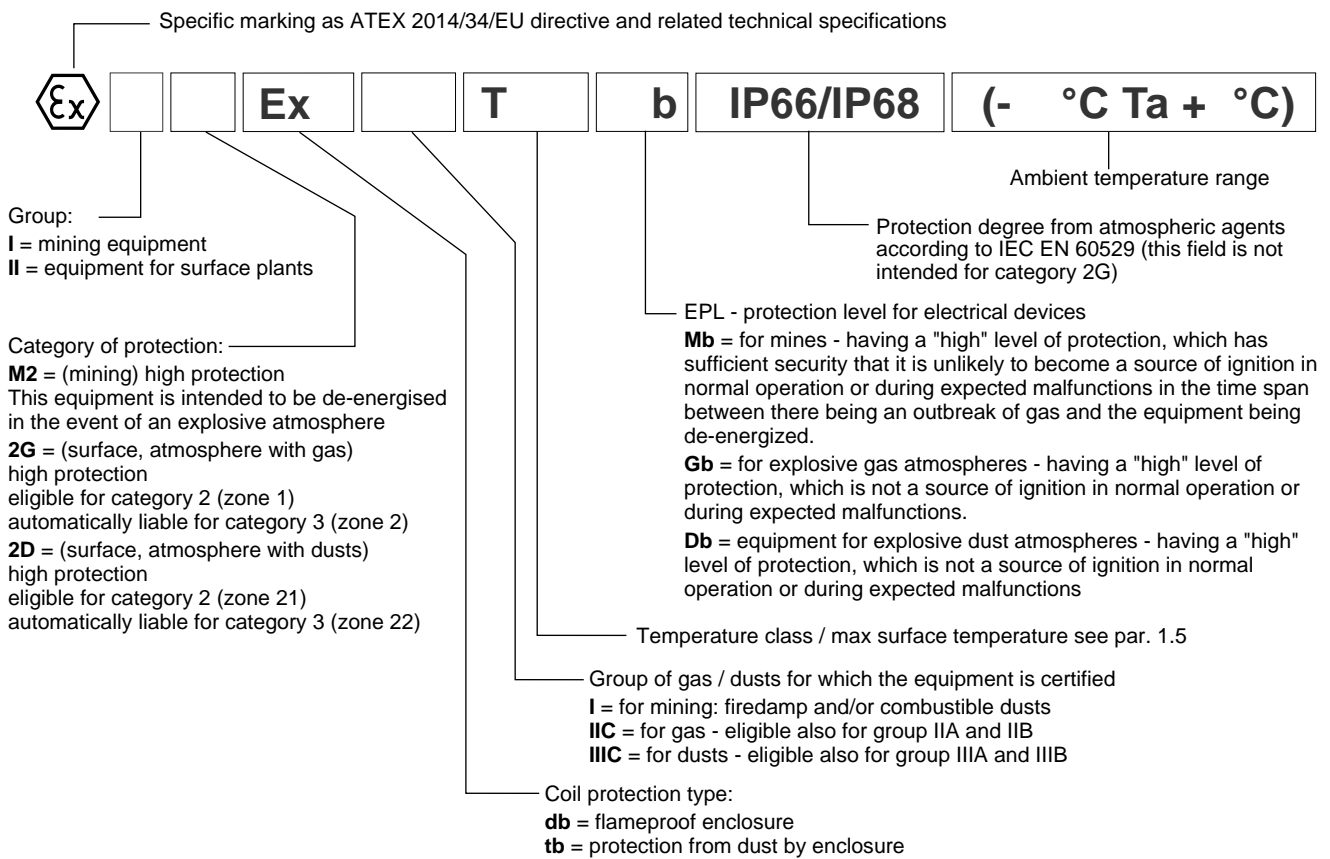
1.3 - ATEX classification of the coils

The coil of the explosion-proof valves is ATEX certified itself and, as such, is identified with its own tag, carries the relative ATEX marking. The mechanical construction of the coil housing is made in order to ensure its resistance to possible internal explosion and to avoid any explosion propagation to the outside environment, matching an "Ex db" type protection (explosion-proof coil).

Moreover, the solenoid is designed to maintain its surface temperature below the limits specified to the relevant class.

1.4 - ATEX marking on coils

for valve type *KD2	for gas for dusts	 II 2G Ex db IIC T4 Gb (-40°C Ta +80°C)  II 2D Ex tb IIIC T154°C Db IP66/IP68 (-40°C Ta +80°C)
for valve type *KD2 /T5	for gas for dusts	 II 2G Ex db IIC T5 Gb (-40°C Ta +55°C)  II 2D Ex tb IIIC T129°C Db IP66/IP68 (-40°C Ta +55°C)
for valve type *KDM2	mining	 I M2 Ex db I T150°C Mb IP66/IP68 (-40°C Ta +75°C)



1.5 - Operating temperatures

These valves are classified according to their maximum surface temperature (EN 13463-1), which must be lower than the ignition temperature of the gases, vapors and dusts for which the area in which they will be used is classified.

The valves in group II can also be used for less limiting temperature classes (surface temperature allowed higher).

		temperature range	N and V seals	NL seals	Temperature class	eligible also for
ATEX II 2G ATEX II 2D	*KD2	of ambient	-20 / +80 °C	-40 / +80 °C	T4 (gas)	T3, T2, T1
		of fluid			T154°C (dusts)	T200°C and higher
	*KD2 /T5	of ambient	-20 / +55 °C	-40 / +55 °C	T5 (gas)	T4, T3, T2, T1
		of fluid	-20 / +60 °C	-40 / +60 °C	T129°C (dusts)	T135°C and higher
ATEX I M2	*KDM2	of ambient	-20 / +75 °C	-40 / +75 °C	T150°C	-
		of fluid				



2 - IECEX CLASSIFICATION AND TEMPERATURES

The IECEX certification requires the classification of the electrical equipment only.

Diplomatic supplies valves with IECEX certified coils, suitable for application and installation in potentially explosive atmospheres. The mechanical construction of the coil housing is made in order to ensure its resistance to possible internal explosion and to avoid any explosion propagation to the outside environment, matching an "Ex db" type protection (explosion-proof coil).

Moreover, the solenoid is designed to maintain its surface temperature below the limits specified to the relevant class.

The supply always includes the operating and maintenance manual, that contains all the information needed for a correct use of the valve in potentially explosive environment.

2.1 - IECEX classification

Certificate of conformity (CoC): IECEX TUN 15.0028X

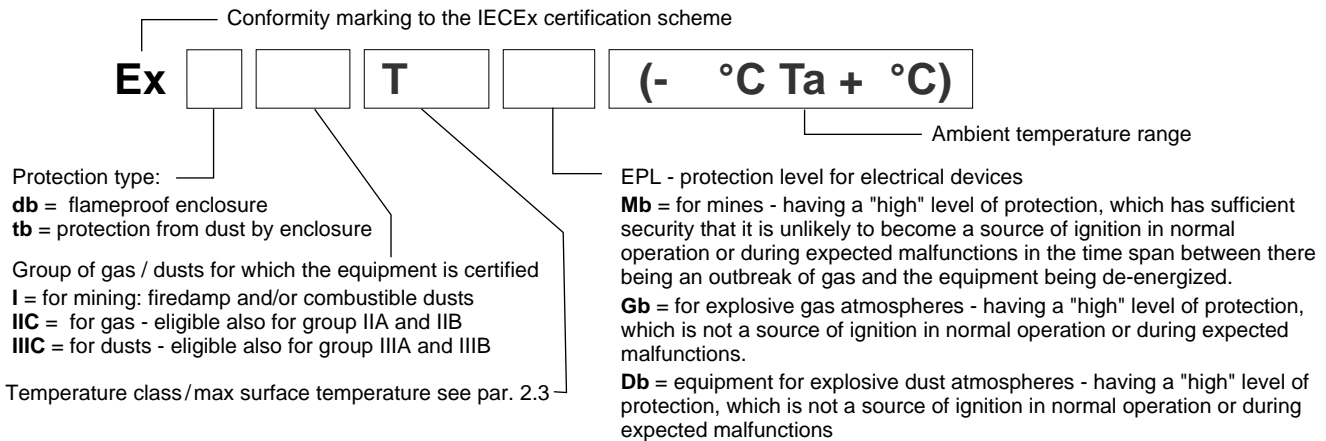
The valves are suitable for applications and installations in potentially explosive atmospheres that fall within:

IECEX Gb IECEX Db	*KXD2	equipment intended for use in areas in which explosive atmospheres caused by gases, vapours, mists or air/dust mixtures are likely to occur occasionally. The means of protection relating to equipment in this category ensure the requisite level of protection, even in the event of frequently occurring disturbances or equipment faults which normally have to be taken into account.
IECEX Mb	*KXDM2	equipment intended for use in underground parts of mines as well as those parts of surface installations of such mines likely to be endangered by firedamp and/or combustible dust. This equipment is intended to be de-energised in the event of an explosive atmosphere.

2.2 - IECEX marking

There is a plate with the IECEX mark on each coil.

*KXD2 valves	for gas	Ex db IIC T4 Gb (-40°C Ta +80°C)
	for dusts	Ex tb IIIC T135°C Db (-40°C Ta +80°C)
*KXD2 /T5 valves	for gas	Ex db IIC T5 Gb (-40°C Ta +55°C)
	for dusts	Ex tb IIIC T100°C Db (-40°C Ta +55°C)
*KDM2 valves	mining	Ex db I Mb (-40°C Ta +80°C)



2.3 - Operating temperatures

These valves are classified according to their maximum surface temperature (EN 13463-1), which must be lower than the ignition temperature of the gases, vapors and dusts for which the area in which they will be used is classified.

Valves for surface plants can also be used for less limiting temperature classes (higher surface temperature allowed).

		temperature range	N and V seals	NL seals	Temperature class	eligible also for
IECEX Gb IECEX Db	*KXD2	of ambient	-20 / +80 °C	-40 / +80 °C	T4 (gas) T135°C (dusts)	T3, T2, T1 T200°C and higher
		of fluid				
IECEX Db	*KXD2 /T5	of ambient	-20 / +55 °C	-40 / +55 °C	T5 (gas) T100°C (dusts)	T4, T3, T2, T1 T135°C and higher
		of fluid				
IECEX Mb	*KXDM2	of ambient	-20 / +80 °C	-40 / +80 °C	-	-
		of fluid				

2.4 - Protection degree from atmospheric agents (IEC EN 60529)

Protection degree from atmospheric agents according to IEC EN 60529 is IP66/IP68.



3 - INMETRO CLASSIFICATION AND TEMPERATURES

The INMETRO certification requires the classification of the electrical equipment only.

Diplomatic supplies valves with INMETRO certified coils, suitable for application and installation in potentially explosive atmospheres. The mechanical construction of the coil housing is made in order to ensure its resistance to possible internal explosion and to avoid any explosion propagation to the outside environment, matching an "Ex db" type protection (explosion-proof coil).

Moreover, the solenoid is designed to maintain its surface temperature below the limits specified to the relevant class.

The supply always includes the operating and maintenance manual, that contains all the information needed for a correct use of the valve in potentially explosive environment.

3.1 - INMETRO classification

Certificate of conformity: TÜV 19.1844 X

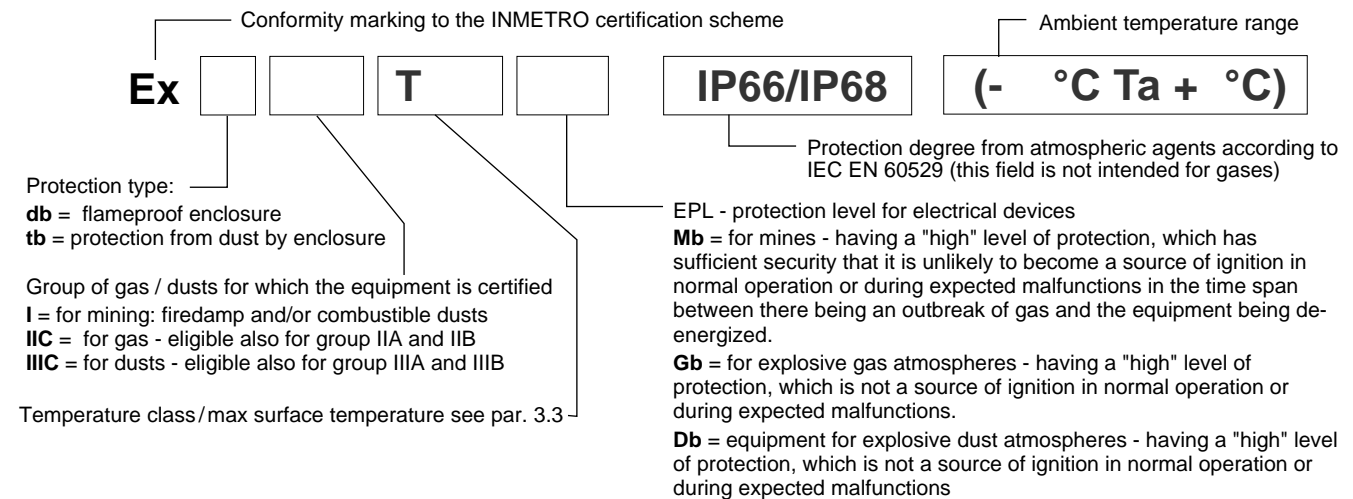
The valves are suitable for applications and installations in potentially explosive atmospheres that fall within:

INMETRO Gb INMETRO Db	*KBD2	equipment intended for use in areas in which explosive atmospheres caused by gases, vapours, mists or air/dust mixtures are likely to occur occasionally. The means of protection relating to equipment in this category ensure the requisite level of protection, even in the event of frequently occurring disturbances or equipment faults which normally have to be taken into account.
INMETRO Mb	*KBDM2	equipment intended for use in underground parts of mines as well as those parts of surface installations of such mines likely to be endangered by firedamp and/or combustible dust. This equipment is intended to be de-energised in the event of an explosive atmosphere.

3.2 - INMETRO marking

There is a plate with the INMETRO mark on each coil.

*KBD2 valves	for gas	Ex db IIC T4 Gb (-40°C Ta +80°C)
	for dusts	Ex tb IIIC T154°C Db IP66/IP68 (-40°C Ta +80°C)
*KBD2 /T5 valves	for gas	Ex db IIC T5 Gb (-40°C Ta +55°C)
	for dusts	Ex tb IIIC T129°C Db IP66/IP68 (-40°C Ta +55°C)
*KBDM2 valves	mining	Ex db I T150° Mb IP66/IP68 (-40°C Ta +75°C)



3.3 - Operating temperatures

These valves are classified according to their maximum surface temperature (EN 13463-1), which must be lower than the ignition temperature of the gases, vapors and dusts for which the area in which they will be used is classified.

Valves for surface plants can also be used for less limiting temperature classes (higher surface temperature allowed).

		temperature range	N and V seals	NL seals	Temperature class	eligible also for
INMETRO Gb INMETRO Db	*KBD2	of ambient	-20 / +80 °C	-40 / +80 °C	T4 (gas)	T3, T2, T1
		of fluid			T154°C (dusts)	T200°C and higher
INMETRO Db	*KBD2 /T5	of ambient	-20 / +55 °C	-40 / +55 °C	T5 (gas)	T4, T3, T2, T1
		of fluid			T129°C (dusts)	T135°C and higher
INMETRO Mb	*KBDM2	of ambient	-20 / +75 °C	-40 / +75 °C	T150°C	-
		of fluid				



4 - PESO CLASSIFICATION AND TEMPERATURES

The PESO certification requires the classification of the electrical equipment only.

Diplomatic supplies valves with PESO certified coils, suitable for application and installation in potentially explosive atmospheres. The mechanical construction of the coil housing is made in order to ensure its resistance to possible internal explosion and to avoid any explosion propagation to the outside environment, matching an "Ex db" type protection (explosion-proof coil).

Moreover, the solenoid is designed to maintain its surface temperature below the limits specified to the relevant class.

The supply always includes the operating and maintenance manual, that contains all the information needed for a correct use of the valve in potentially explosive environment.

4.1 - PESO classification

Certificate of conformity: P480801

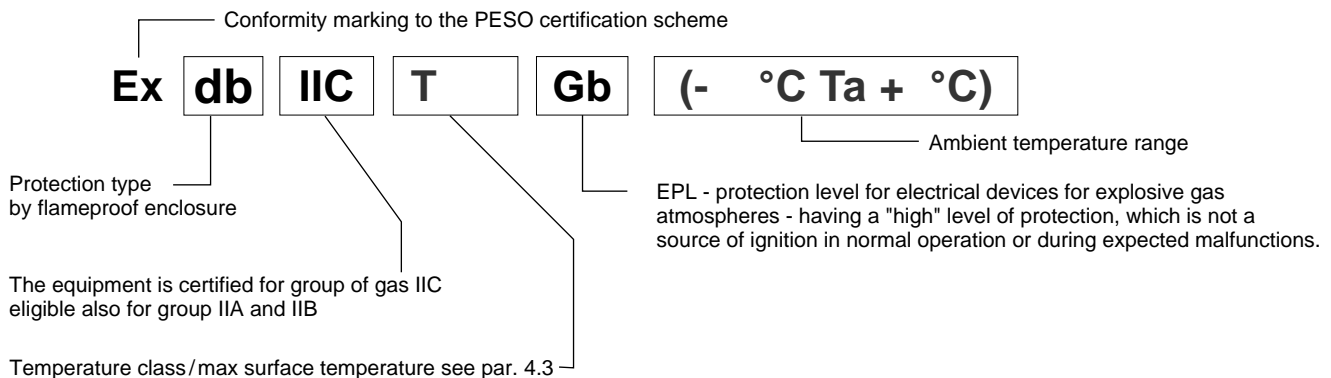
The valves are suitable for applications and installations in potentially explosive atmospheres that fall within:

PESO Gb	*KPD2	equipment intended for use in areas in which explosive atmospheres caused by gases, vapours, mists are likely to occur occasionally. The means of protection relating to equipment in this category ensure the requisite level of protection, even in the event of frequently occurring disturbances or equipment faults which normally have to be taken into account.
---------	-------	--

4.2 - PESO marking

There is a plate with the PESO mark on each coil.

*KPD2 valves	for gas	Ex db IIC T4 Gb (-40°C Ta +80°C)
*KPD2 /T5 valves	for gas	Ex db IIC T5 Gb (-40°C Ta +55°C)



4.3 - Operating temperatures

These valves are classified according to their maximum surface temperature (EN 13463-1), which must be lower than the ignition temperature of the gases, vapors and dusts for which the area in which they will be used is classified.

Valves for surface plants can also be used for less limiting temperature classes (higher surface temperature allowed).

		temperature range	N and V seals	NL seals	Temperature class	eligible also for
PESO Gb	*KPD2	of ambient	-20 / +80 °C	-40 / +80 °C	T4 (gas)	T3, T2, T1
		of fluid				
	*KPD2 /T5	of ambient	-20 / +55 °C	-40 / +55 °C	T5 (gas)	T4, T3, T2, T1
		of fluid				

4.4 - Protection degree from atmospheric agents (IEC EN 60529)

Protection degree from atmospheric agents according to IEC EN 60529 is IP66/IP68.

 <p>a member of <i>DAIKIN</i> group</p>	<p>DIPLOMATIC MS Spa</p> <p>via Mario Re Depaolini, 24 20015 Parabiago (MI) Italy</p> <p>T +39 0331 895111 E vendite.ita@duplomatic.com sales.exp@duplomatic.com</p> <p>duplomaticmotionsolutions.com</p>
---	--