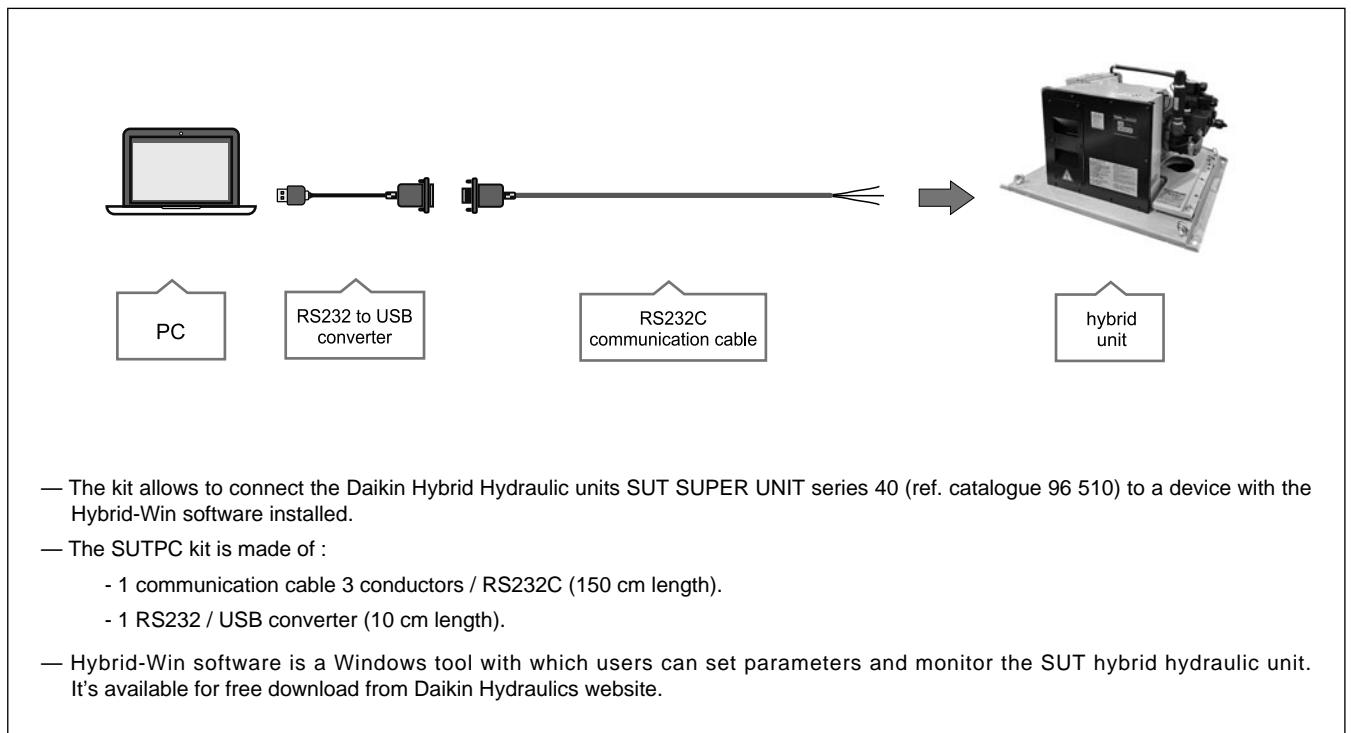


# SUTPC

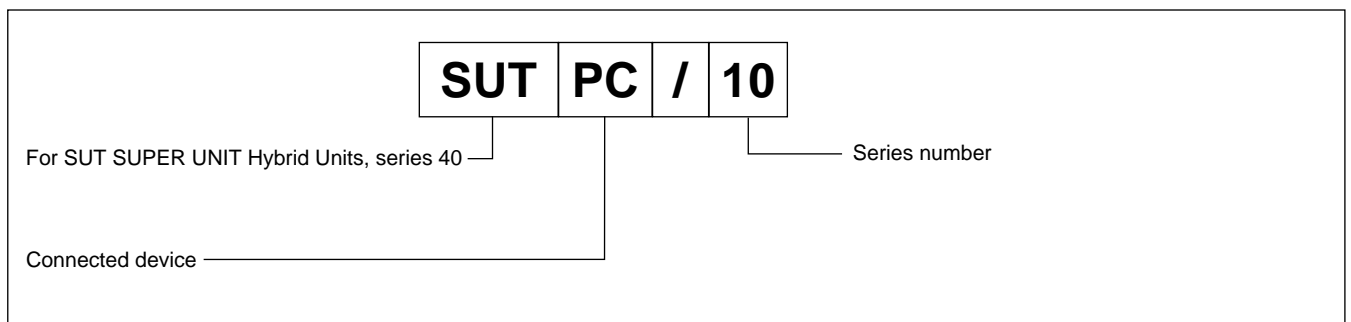
## CABLE KIT for HYBRID-WIN SOFTWARE CONNECTION

SERIES 10

### OPERATING PRINCIPLE



### 1 - IDENTIFICATION CODE





## 2 - HYBRID-WIN SOFTWARE

Hybrid-Win software main features include:

### Creating graphs

Pressure, flow rate and other internal data can be monitored and displayed in graphs.

These key visuals facilitate operation checks during test runs, parameter adjustments and troubleshooting.

### Editing parameter settings

End users can read and write parameters and easily set them to save time.

Remote setting is also possible.

### Managing alarm history

This function quickly identifies parts that require maintenance to reduce downtime. The operating time display shows when consumable parts need replacing or a maintenance check.

Troubleshooting information includes a diagnosis of what caused an alarm and actions to resolve the issue.

The software is compliant with Microsoft OS Windows for Windows 7, 8 and 10.

**NOTE: The Hybrid-Win tool may not run on some specific PCs. We recommend to install the software and check that it runs properly before buying the SUTPC kit.**

**To enable Hybrid-Win to communicate with a SUT Super Unit, it is necessary to match the settings of the Super Unit to that of Hybrid-Win software. Please refer to the 'Hybrid System Maintenance Tool' document for details.**

The Hybrid-win software can be downloaded from the [product page](#) on our website.

## 3 - RS232 SPECIFICATIONS

Transmission speed	19200 bps
Start bit	1 bit
Data bit length	8 bits
Parity bit	none
Stop bit	1 bit
Parity check	none
Transmission max distance	15 metres